

Actuators SA Series

Input shaft version, easy to fit customers servomotors
7 sizes available

Servoactuators SA IL Series

fitting Linearmech brushless servomotors In Line Design
7 sizes available

Servoactuators SA PD Series

fitting Linearmech brushless servomotors Parallel Design
7 sizes available

Servomotors BM Series

High efficiency and performances
Advanced technology, compact design
7 sizes available
Nominal torque up to 10 Nm
Brake motor available

Drives Eco Series

Engineered focusing on linear performances for Automation Industry
Fully integrated in Linearmech Linear Servo-Systems:
Actuators + Brushless Servomotors + Drives

Linear Servo-Systems

Actuators + Brushless Servomotors + Drives



Production by Linearmech
100% Made In Italy



www.linearmech.it

Linearmech S.r.l.

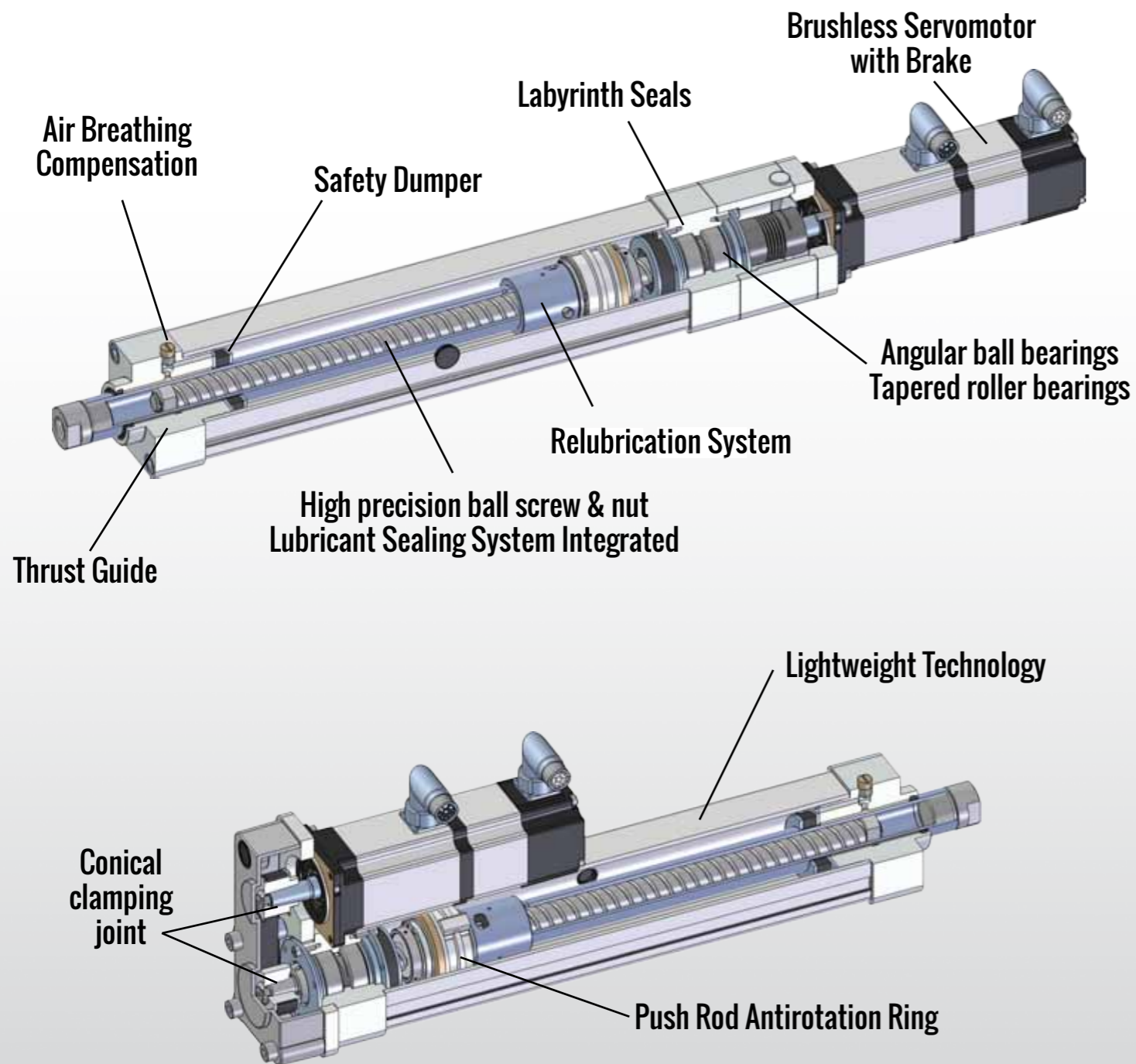
Via Caduti di Sabbiuno, 3 - 40011 Anzola dell'Emilia (Bologna) - ITALY

Tel. +39.051.6504311 - Fax +39.051.6504313 - info@linearmech.it





Construction Technology



Linear Servo-Systems

Actuators + Brushless Servomotors + Drives

Actuators SA Series

Input shaft version
Easy to fit customers servomotors

Servoactuators SA IL Series

fitting Linearmech Brushless Servomotors In Line Design

Servoactuators SA PD Series

fitting Linearmech Brushless Servomotors Parallel Design

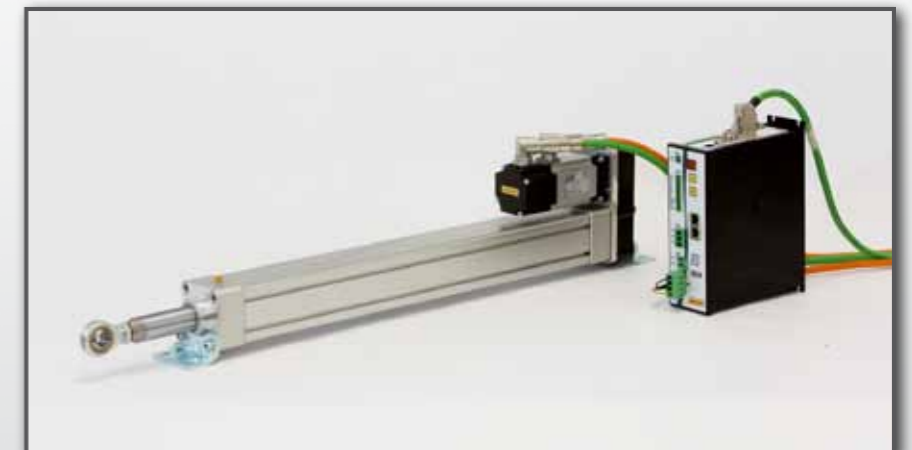
7 sizes available
Wide choice of mounting attachments according to ISO 15552 standards
Limit switches as option

Servomotors BM Series

High efficiency and performances
7 sizes available
Nominal torque up to 10 Nm
Motor brake as option

Drives ECO Series

Engineered focusing on linear performances for Automation Industry and Linear Motion
Positioning Control (SAP, MSQ, Electrical axis)
CANopen, RS422/485, MODBUS RTU



Learn more about Linearmech Construction Technology on www.linearmech.it

Servoactuators Series & Sizes Available	SA 0 SA 0 IL SA 0 PD	SA 1 SA 1 IL SA 1 PD	SA 2 SA 2 IL SA 2 PD	SA 3 SA 3 IL SA 3 PD	SA 4 SA 4 IL SA 4 PD	SA 5 SA 5 IL SA 5 PD	SA 6 SA 6 IL SA 6 PD
Cover profile (ISO 15552) [mm]	□ 45	□ 52	□ 65	□ 75	□ 95	□ 115	□ 140
Push rod diameter [mm]	∅ 20	∅ 22	∅ 25	∅ 30	∅ 35	∅ 50	∅ 60
Ball screw (diameter × lead) [mm]	12 × P _h	14 × P _h	16 × P _h	20 × P _h	25 × P _h	32 × P _h	40 × P _h
Brushless servomotor [mm]	BM 45 L	BM 45 L	BM 63 S	BM 63 L	BM 82 L	BM 102 S	BM 102 L